

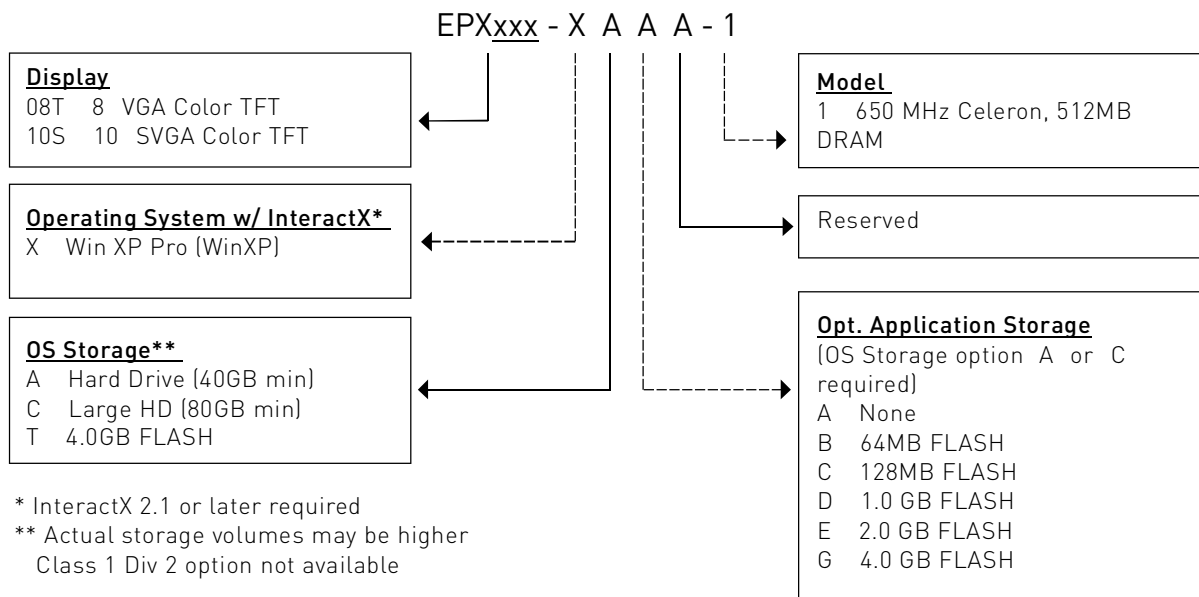
EPX InteractX PowerStations



This CTC-designed and manufactured PowerStation is an Industrial PC with an 8" or 10" TFT display and analog resistive touchscreen. Pre-installed and licensed with award-winning InteractX Windows HMI unlimited-tag runtime software, EPX PowerStations combine the power of the standard Windows XP Pro operating systems with a hardened x86 hardware platform for embedded computing needs.

Each EPX system includes a range of options such as CompactFlash storage, USB ports, RS-232 and RS-232/422/485 ports, and a 100BaseT Ethernet port. CTC PowerStations allow you to choose the right system for your application without sacrificing the features you need!

Model Number Configurations



Units are 24VDC. Use P1X-PWRAC power supply.
Power supply cannot be mounted on back of 8 unit.

PA/P1/Monitor/EPX AC Power Supply P1X-PWRAC

Note:
All systems include 0-50 °C operation, 24VDC power and agency approvals for CE, UL & CUL. Display based systems include an analog resistive touchscreen, NEMA 4/4X rated package.



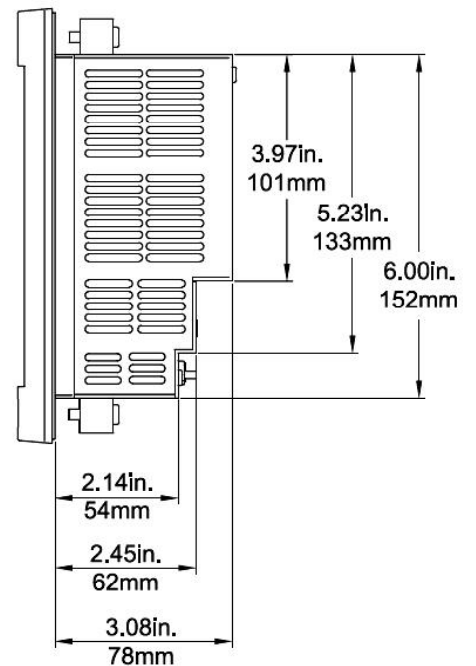
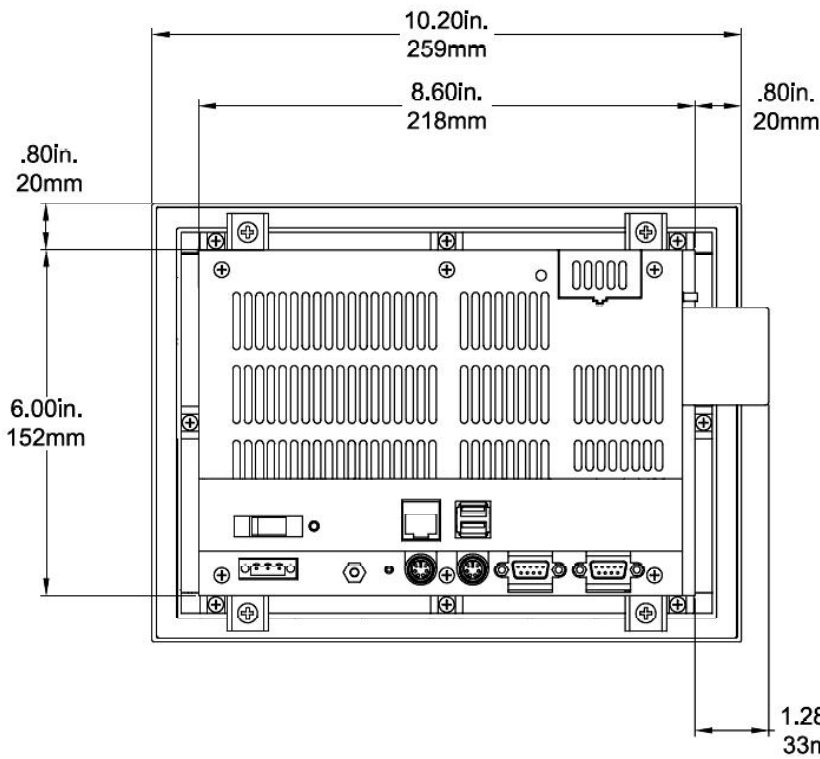
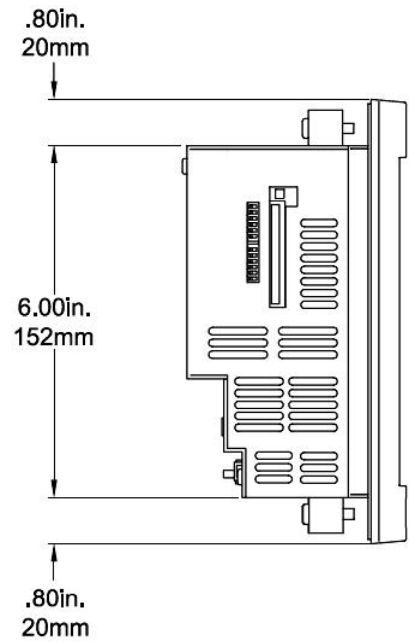
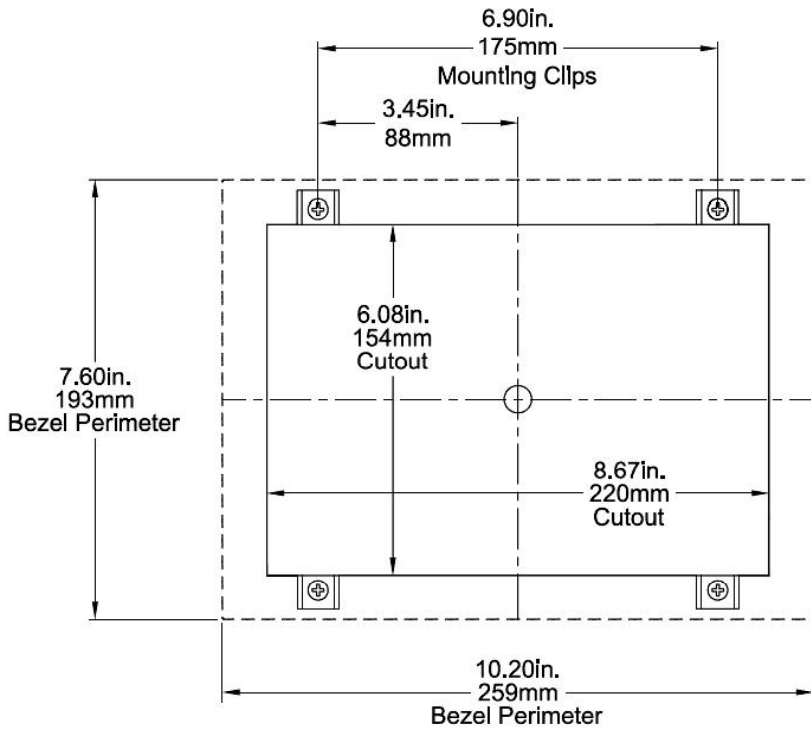
Categories	Features	8" Display (EPX08S)	10" Display (EPX10T)
Display	Specification	8" Color TFT 8.0" (203mm) Diagonal VGA (640x480) Resolution 285 NIT, 262,144 Color TFT +/- 65° L/R, 65° U, 55° D Viewing Angle 20,000 hour backlight (to half brightness)	10" Color TFT 10.4" (2560mm) Diagonal SVGA (800x600) Resolution 350 NIT, 262,144 Color TFT +/- 70° L/R, 70° U, 40° D Viewing Angle 50,000 hour backlight (to half brightness)
	Interface	Analog Resistive Touchscreen	
Operating System		Windows XP Professional	
HMI Software		InteractX Unlimited Tag HMI Runtime software and license*	
Processor Support		CPU 650MHz Ultra Low Voltage Intel Celeron 256KB Cache	
	Chipset	Intel 82815 GMCH • 100MHZ FSB • AGP Video • Full 2D/3D/DirectX Video Acceleration	
Memory	System	512MB Shared PC100 SODIMM (1) 144-pin Slot, 512MB Max.	
	Video	64MB Shared System Memory	
Storage Options	Hard Drive CompactFlash Floppy/CD ROM	(1) 3.5" 40GB, 7200 RPM UltraATA/100 (80GB optional)** (1) External Type II slot (IDE Bootable) External connection via USB	
Ports	Keyboard Mouse USB Serial Ethernet	(1) PS/2, with over current protection (1) PS/2, with over current protection (2) USB 1.1 ports Type-A, CD/Floppy/USB Drive bootable with over current protection (1) RS232 9-Pin D-sub (1) RS232/422/485 9-Pin D-sub (1) 10/100Base-T w/ RJ45	
Expansion Slots		N/A	
BIOS Options		Plug-n-Play Configurable Boot Devices: • Hard Drive • CompactFlash • USB (CD/ROM, Floppy, Thumb Drive)	
Package	Temperature Range Rel. Humidity Vibration Shock	0-50°C 5-95% (non-cond.) 10-500 Hz .5grms (random-operational-HD) 10-500 Hz 1grms (random-operational-CompactFlash) 10G, 11 msec (operating) 30G, 11 msec (non-operating)	
Power Requirement		24 VDC, 2A maximum	
Agency Approval		UL/CUL; CE †	

For more information about EPX PowerStations visit ctcusa.com or call us at **1.800.233.3329**

* InteractX 2.1 or later required
** Actual storage volumes may be higher
Class 1 Div 2 option not available



EPX08S Dimensions and Port Locations:





EPX10T Dimensions and Port Locations:

